

Technical Data Sheet
Eppendorf Microplate 96/V
English (EN)

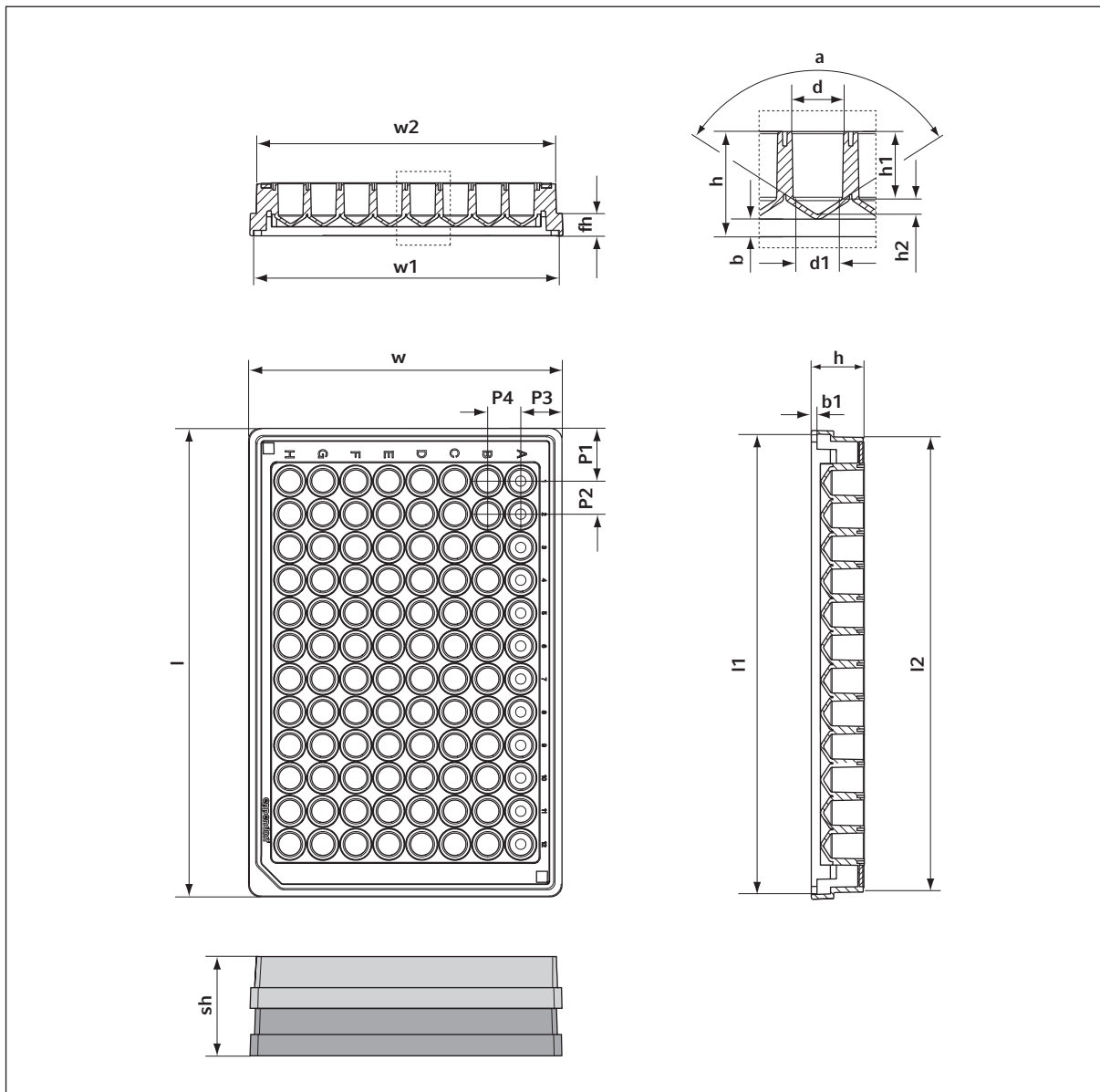


Plate dimensions [mm]

Length			Width			Height		Stack height
l	l1	l2	w	w1	w2	h	fh	sh (without lid)
127.8	124.8	123.4	85.5	83.1	81.5	14.35	6.1	27.2

Well dimensions [mm]

Depth				Diameter	Bottom [°]	Positions of well center [mm]				Bottom space [mm]	
h1	h2	d	d1	a	Angle	P1	P2	P3	P4	b	b1
9.0	2.25	7.0	6.7	114		14.4	9.0	11.2	9.0	2.4	1.4

Your local distributor: www.eppendorf.com/contact
Eppendorf AG · 22331 Hamburg · Germany
eppendorf@eppendorf.com · www.eppendorf.com